

The PC-1869EN is certified according to the European Standard EN 54-24: 2008, and the International Standard ISO 7240-24: 2010. Certification number is 0359-CPD-0100.

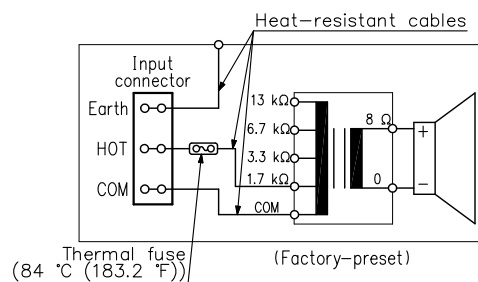
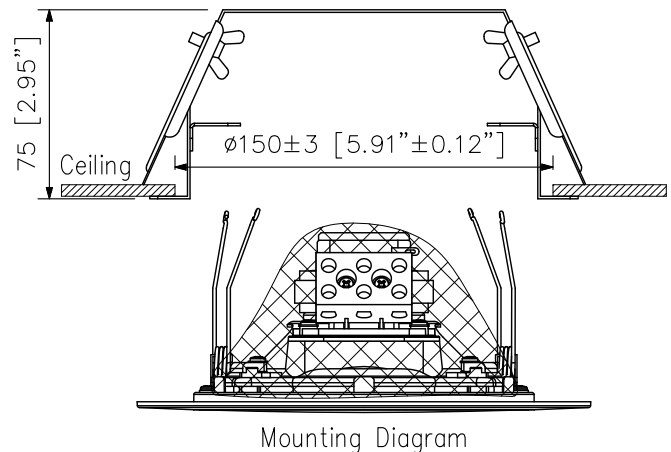
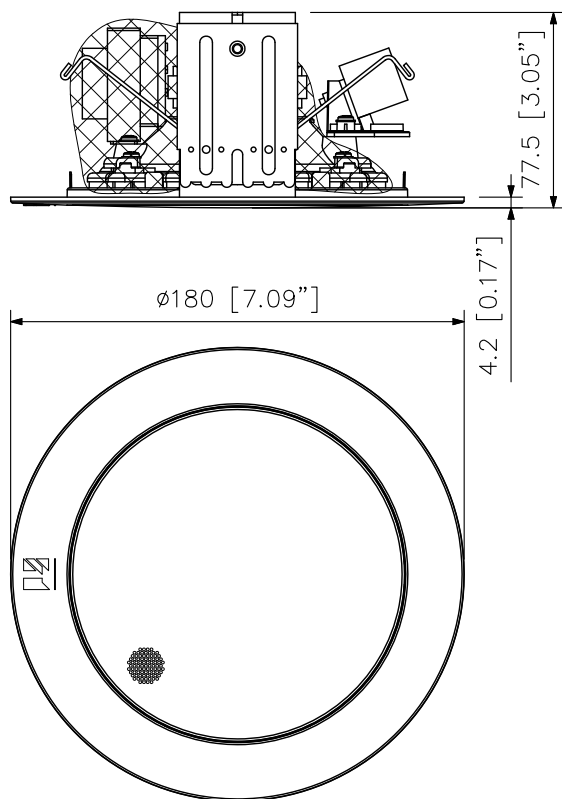
DESCRIPTION

The PC-1869EN is the voice alarm certification product. The PC-1869EN is suitable for announcement and music use in high quality sound cone speaker. Speaker design that harmonize with the venue's architecture and decor. Thin panel does not clash with interior design.

SPECIFICATIONS

Rated Input	6 W (100 V line), 3 W (70 V line)
Rated Impedance	100 V line: 1.7 kΩ (6 W), 3.3 kΩ (3 W), 6.7 kΩ (1.5 W), 13 kΩ (0.8 W) 70 V line: 1.7 kΩ (3 W), 3.3 kΩ (1.5 W), 6.7 kΩ (0.8 W), 13 kΩ (0.4 W)
Sensitivity	94 dB (1 W, 1 m) (500 Hz - 5 kHz, pink noise) 90 dB (1 W, 1 m) (100 Hz - 10 kHz, pink noise) 78 dB (1 W, 4 m) (100 Hz - 10 kHz, pink noise)
Maximum Sound Pressure Level	98 dB (6 W, 1 m) (100 Hz - 10 kHz, pink noise) 86 dB (6 W, 4 m) (100 Hz - 10 kHz, pink noise)
Frequency Response	100 Hz - 18 kHz (peak -20 dB)
Coverage Angle	Horizontal and Vertical: 165° (500 Hz), 175° (1 kHz), 165° (2 kHz), 70° (4 kHz)
Environmental type	A (indoor applications)
Speaker Component	12 cm (5") cone-type
Operating Temperature	-10 °C to +50 °C (14 °F to 122 °F)
Dimensions for Fixing Hole	Mounting hole: $\phi 150 \pm 3$ mm ($\phi 5.91'' \pm 0.12''$) Ceiling thickness: Max. 25 mm (0.98")
Speaker Mounting Method	Spring clamp
Applicable Cable	Outer diameter: $\phi 6.6 - \phi 12.5$ mm Conductor: Solid wire or 7-core wire No bridge connection: 0.8 - 10 mm ² (AWG18-AWG7) for solid wire, 0.8 - 8 mm ² (AWG18-AWG8) for 7-core wire Bridge connection: 0.8 - 2.5 mm ² (AWG18-AWG13) for solid wire, 0.8 - 1.5 mm ² (AWG18-AWG15) for 7-core wire
Connection	Screw connector (steatite terminal) can be bridge connection
Finish	Baffle: Steel plate, white (RAL 9016 equivalent), paint Grille: Surface-treated steel plate net, white (RAL 9016 equivalent), paint
Dimensions	$\phi 180 \times 77.5$ (D) mm ($\phi 7.09'' \times 3.05''$)
Weight	820 g (1.81 lb)

APPEARANCE



[Note] Use transformer terminals when changing input impedance.

UNIT:mm SCALE:1/3